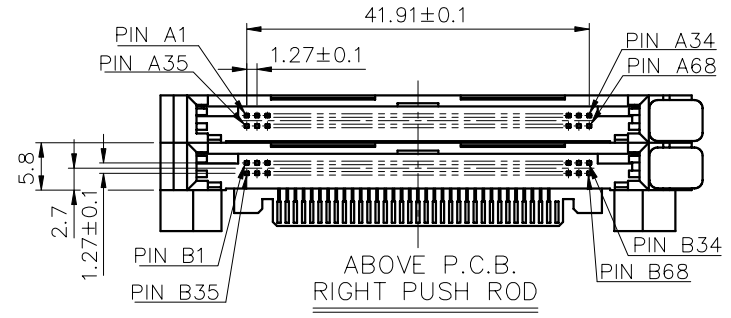
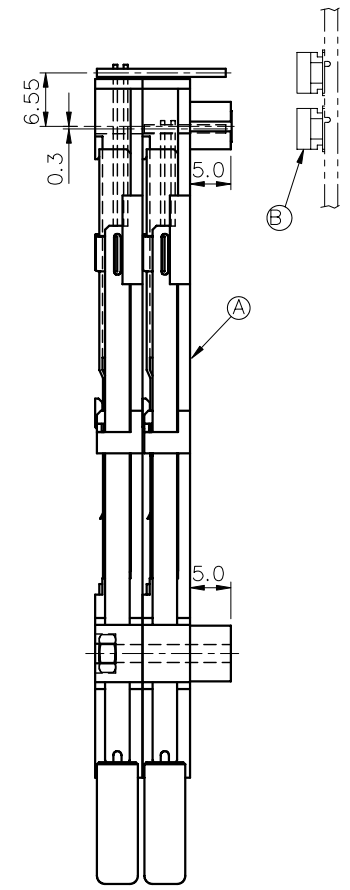
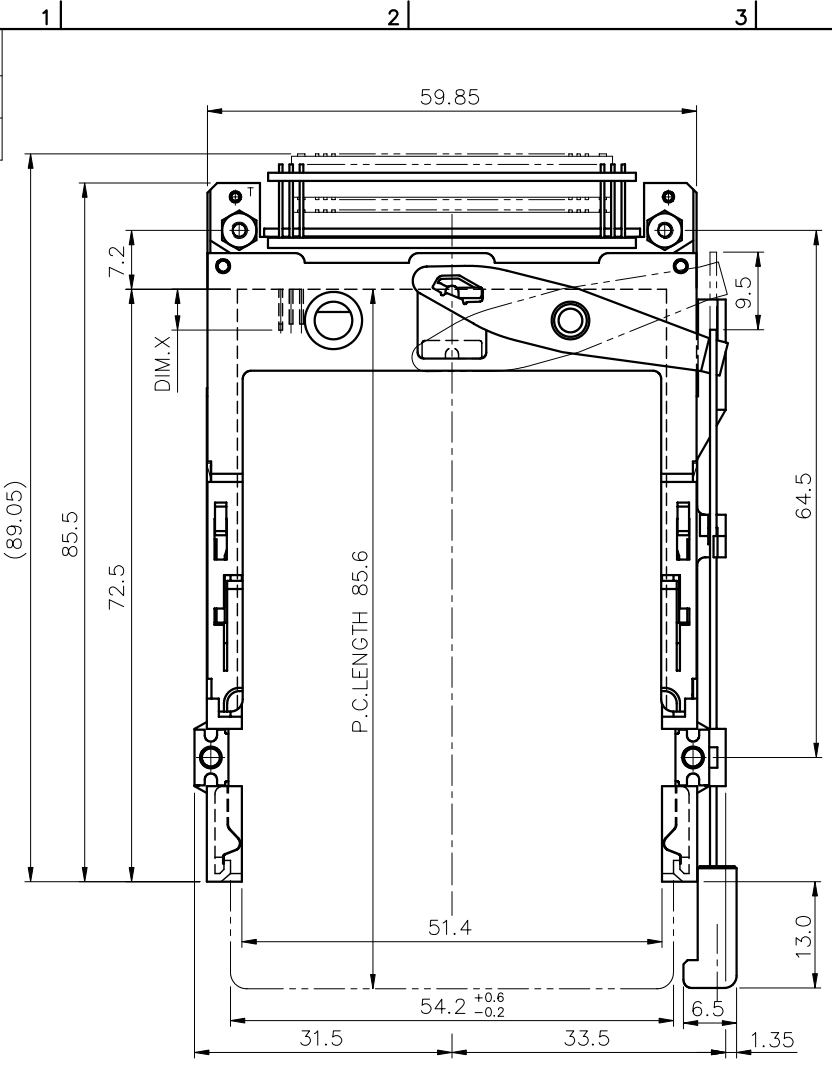


Tous droits strictement réservés. Reproduction ou communication à des tiers sans autorisation écrite du propriétaire. Copyright BERG ELECTRONICS by

All rights strictly reserved. Reproduction or issue to third parties in any form without written authority from the proprietor. Copyright BERG ELECTRONICS by

PRODUCT NO.
10022253-250CA
10022253-250CALF



mat'l code		tolerance unless otherwise specified		CUSTOMER COPY		 www.fciconnect.com		
rev.	ecn no.	dr	date	linear	± 0.30	projection	title	
A	T03-0238	W L	06/20/03					
B	N04-0092	W B	02/01/04	angles	± 2°		PCMCIA TRANSITION BOARD 3.3V, SMT TYPE 1/2/3	
				dr	WENDY CHEN			01/27/03
				enr	SPENCER LAI	01/27/03	scale	1.2:1
				chr	SCOTT LU	01/27/03	product family	PCMCIA
				appd	JENN TSAO	01/27/03	code	
sheet	revision	B	B				size	A3
index	sheet	1	2				dwg no.	10022253
							sheet	1 of 2

NOTES:

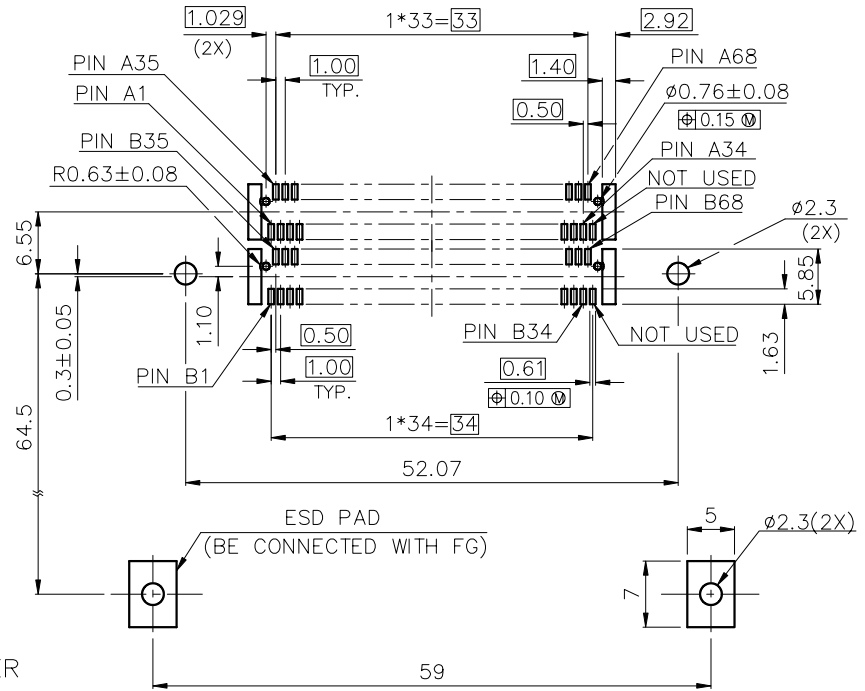
- 8mm MIN. CARD EJECT.
- EJECT TRAVEL: 9.5mm
- PUSH ROD LOCATION AND P.C.B. SIDE ARE AS APPEARS INSTALLED.
- MATERIAL
 - HEADER ASS'Y:
 - PLASTIC :HOUSING ...LCP UL94V-0 BLACK
 - PIN :COPPER ALLOY
 - PCB : FR4
 - EJECT MECHANISM ASS'Y:
 - PLASTIC :GUIDE:POLYPHTHARAMID UL94V-0 BLACK
 - :BUTTON:POLYPHTHARAMID UL94V-0 BLACK
 - PLATE AND PUSH ROD :STAINLESS
 - EMI CONTACT:PHOSPHOR BRONZE
- FINISH (PIN)
 - UNDER PLATING :0.5µm MIN. Ni
 - CONTACT AREA :0.1µm MIN. GOLD OVER
 - 0.5µm MIN. Pd-Ni
 - SOLDER TAIL(TIN LEAD OPTION) : 2.5µm MIN. Sn-Pb
 - SOLDER TAIL(LEAD FREE OPTION) : 2.5µm MIN. PURE TIN
- IF LEAD FREE P/N. THE HOUSING WILL WITHSTAND EXPOSURE TO 260°C PEAK TEMPERATURE FOR 10 SECONDS IN A WAVE SOLDER APPLICATION WITH A 1.00MM MINIMUM THICK CIRCUIT BOARD.
- LEAD FREE PRODUCT MEETS EUROPEAN UNION DIRECTIVES AND OTHER COUNTRY REGULATIONS AS DISCRIBLED IN GS-22-008
- IF LEAD FREE P/N. PACKAGING MEETS GS-14-920 SPECIFICATION
- DIM "X"

4.25±0.1	3.5±0.1	5.0±0.1
OTHERS	36,67	1,17,34,35,51,68

ORDERING INFORMATION

NAME	PART NO.	Q'TY
(A) EJECT HEADER ASS'Y	10022253-250CA	1
(B) MATING RECEPTACLE	91931-31169	2

NAME	PART NO.	Q'TY
(A) EJECT HEADER ASS'Y	10022253-250CALF	1
(B) MATING RECEPTACLE	91931-31169LF	2



BOARD VIEW FROM CONNECTOR MOUNTED SIDE
TOP OF BOARD IN APPLICATION

mat'l code		tolerance unless otherwise specified		CUSTOMER COPY		 www.fciconnect.com	
rev.	ecn no.	dr	date	linear	±0.1	projection	title
A							
B				angles			product family
				dr	WENDY CHEN		
				enr	SPENCER LAI	01/27/03	code
				chr	SCOTT LU	01/27/03	size
				appd	JENN TSAO	01/27/03	scale
sheet	revision						A3
index	sheet						10022253
							sheet 2 of

Tous droits strictement réservés. Reproduction ou communication à des tiers sans autorisation écrite du propriétaire. FCI ELECTRONICS est la propriété de BERG ELECTRONICS. Droits de reproduction BERG ELECTRONICS by

All rights strictly reserved. Reproduction or issue to third parties in any form without written authority from the proprietor. FCI is not responsible for any reproduction without written authority from the proprietor. Copyright BERG ELECTRONICS by